



Improve the Performance
of Your Electrical Transmission Systems.





Assemblage Paro has been in business since 1983 manufacturing a range of electrical parts used in high-voltage equipment.

The company specializes in manufacturing, repairing and modifying copper and aluminium parts from drawings and samples. Working in close cooperation with you, our specialists accommodate your needs and specifications in line with the strictest industry standards. Our customers in fact include major high-voltage transmission system operators. We employ leading edge processes in our ongoing efforts to improve high-voltage equipment technology.

Our Products

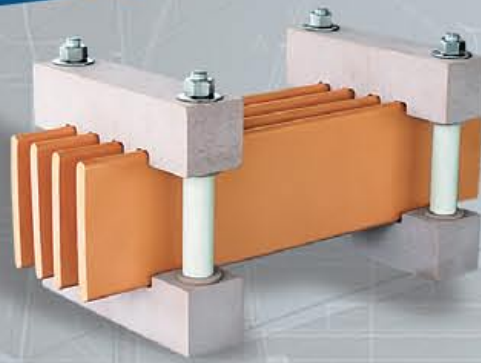
Paro specializes in manufacturing high-quality flexible connections that improve the performance of electrical transmission systems. We use heat treatment, plated contact surfaces, and alloys to prevent corrosion and overload, and hence increase the long-term efficiency of our products.



► Disconnecting switch pivot.



► Flat braid flexible connection.



► Electric isolator and bus bar transmission system.



► Water-cooled electrode holder for industrial furnaces.



► Round cable flexible connection.

Flexible Connections

Paro connections link independent high-voltage systems without power losses and vibration. They are made from superior quality braided copper wire or flexible copper strips to optimize their flexibility. Our highly flexible connections eliminate the contraction and stress problems that commonly occur in high-voltage power lines. Assemblage Paro also manufactures custom connections to customer specifications.

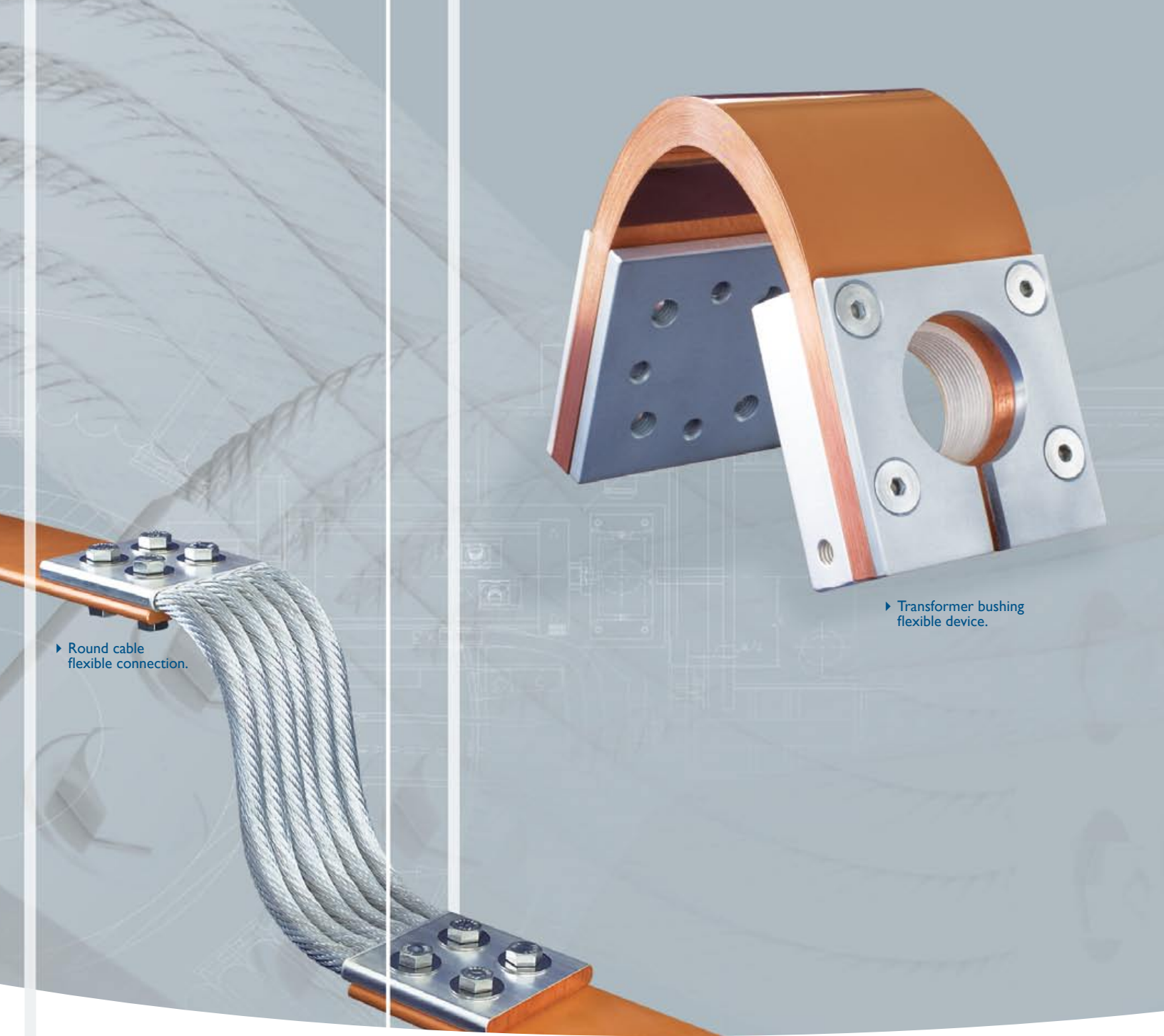
Disconnecting Switches

Assemblage Paro repairs, modifies and custom manufactures high-voltage disconnecting switches. To ensure top performance and prevent energy loss, Paro uses flexible connections of its own design in movable joints. With the right combination of metals and leading edge metallurgical techniques, Paro has become a leader in its field.

Electrical Contacts

Paro manufactures and repairs electrical contacts that offer superior strength and durability. Our copper-tungsten contacts are known for their capacity to withstand variations in high-voltage current, which means they last longer. Also, the heat treatment process employed by Paro prevents corrosion on contact surfaces.

Assemblage Paro works with you to develop durable and efficient solutions for your high-voltage transmission systems, ensuring loss-free, vibration-free operations.



► Round cable flexible connection.

► Transformer bushing flexible device.



Assemblage Paro inc.
8590, boulevard Parent
Trois-Rivières (Québec) Canada G8T 5M4

Phone: (819) 375-3503
Fax: (819) 375-1331
info@assemblageparo.com